



# EF 250 Series Flake ICE Maker

- ✓ Produces up to 400 lbs. (182 Kgs.)\* of ICE per day
- ✓ Self-contained insulated storage available in 143 lbs. (65 Kgs.) or 213 lbs. (97 Kgs.)
- ✓ Constructed from sturdy, corrosion-resistant 300 series stainless steel
- ✓ Ultra-low profile - 41 inches (1041 mm) tall
- ✓ Available with an air-cooled condenser



***ICE-O-Matic® is the Best ICE Making Solution for:  
Hard Water, Food Safety and Tight Spaces***

## ***Problem***

### **Optimal Bin Storage**

Bin not large enough?

### **Tight-Fitting Spaces**

Kitchen space utilization

### **Operating Environments**

Built to last?

### **Dirty Air Filter**

Forget to change the air filter?

## ***Solution***

### **Multiple Solutions**

Storage of 143 pounds or 213 pounds of flaked ICE

### **Maximum ICE**

Maximum ICE production in a minimum amount of space with an ultra-low profile:

- 41 inches tall
- Air intake only on one side
- Choice of 32 or 38 inches wide

### **ICE-O-Matic® Tough**

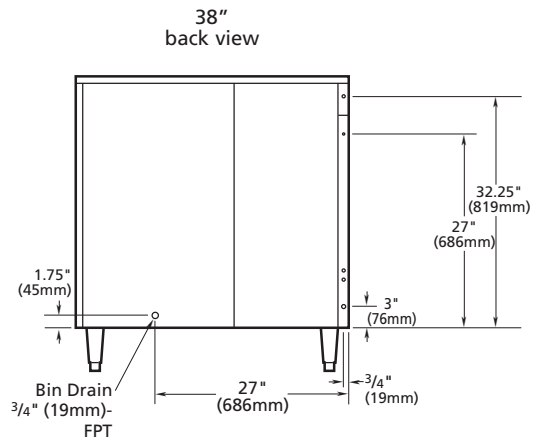
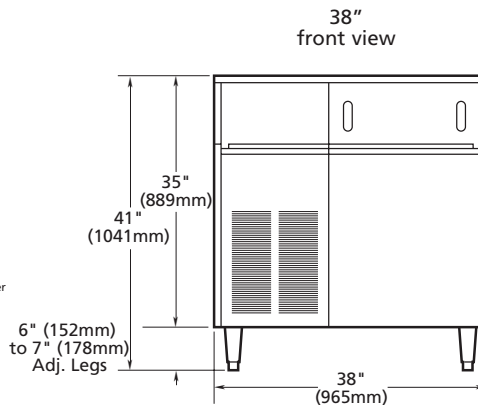
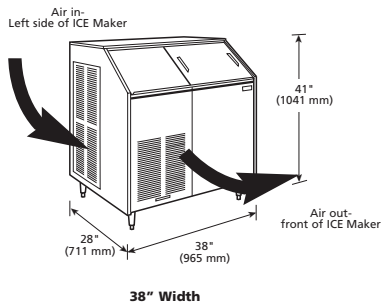
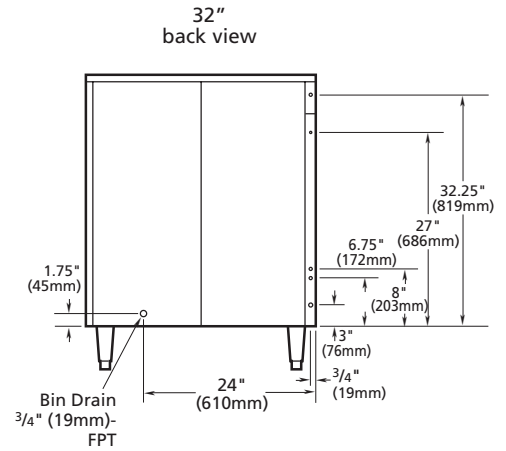
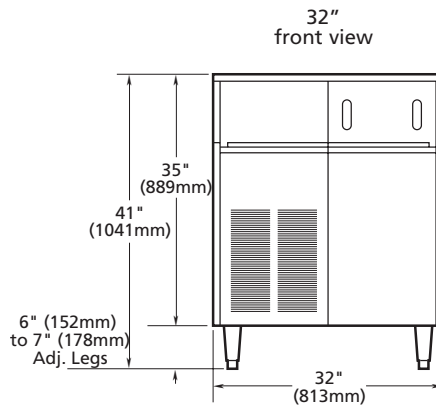
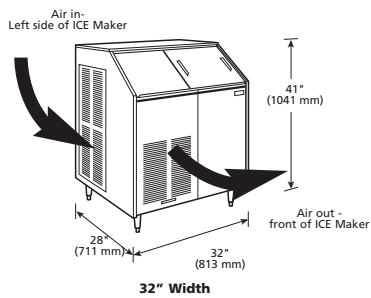
Constructed with a brass evaporator and rugged stainless steel transport system enclosed in polyurethane insulation

### **Filter-Free Air**

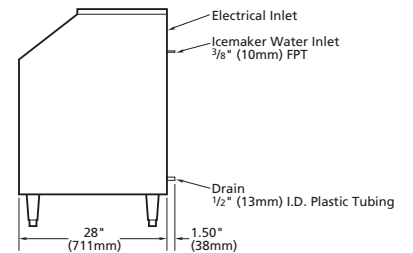
No air filter to change

# EF 250 Series Flake ICE Maker Self-Contained

## Dimensions and Air Flow



32", 38" side view



## ICE PRODUCTION CHART POUNDS (KILOGRAMS) PER 24 HOURS

### EF 250

| Conds. Unit | Air Temp. °F (°C) | Water Temp. °F (°C) |                  |                  |
|-------------|-------------------|---------------------|------------------|------------------|
|             |                   | 80°(27°)            | 70°(21°)         | 50°(10°)         |
| Air Cooled  | 90° (32°)         | 297 (135)           | <b>319 (145)</b> | 351 (160)        |
|             | 80° (27°)         | 318 (144)           | 342 (155)        | 376 (171)        |
|             | 70° (21°)         | 338 (154)           | 364 (165)        | <b>400 (182)</b> |

All specifications and performance data are subject to normal manufacturing variances.

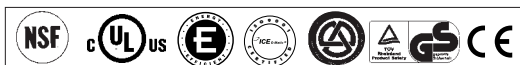
## OPERATING LIMITS

|                          |                           |
|--------------------------|---------------------------|
| Ambient Temp. Range      | 50° - 110°F (10° - 43°C)  |
| Air & Water              | 50° - 110°F (10° - 43°C)  |
| Water Temp. Range        | 40° - 100°F (4.5° - 38°C) |
| Water Pressure Ice Maker | Min. 20 psi (1.4 bar)     |
| Water in                 | Max. 60 psi (6.9 bar)     |

## ORDERING AND SPECIFICATION INFORMATION

| Model No. | Cab Size Width" (mm) | Bin Storage Lbs. (Kgs.) | Cond. Unit | ICE Production per 24 hrs. at 70° Air/50° Water lbs. (Kgs.) | ICE Production per 24 hrs. at 90° Air/70° Water lbs. (Kgs.) | Water Used-Gals. (Lits.) per 100 lbs. of Ice 90° Air/70° Water |           | Kilowatts Used per 100 lbs. of ICE 90° Air 70° Water | Btuh | Voltage Characteristics | Min. No. of Wires | Max. Circuit Amp. | Shipping Fuse Size | Weight lbs. (Kgs.) |
|-----------|----------------------|-------------------------|------------|---|---|--|-----------|--|------|-------------------------|-------------------|-------------------|--------------------|--------------------|
|           |                      |                         |            |   |   | ICE Prod. Use  | Cond. Use |  |      |                         |                   |                   |                    |                    |
| EF250A32S | 32 (813)             | 143 (65)                | Air        | 400 (182)   | 319 (145)   | 12.0 (45)  | n/a       | 5.6  | 4233 | 115/60/1                | 3                 | 12.4              | 15                 | 240 (109)          |
| EF250A38S | 38 (965)             | 213 (97)                | Air        | 400 (182)   | 319 (145)   | 12.0 (45)  | n/a       | 5.6  | 4233 | 115/60/1                | 3                 | 12.4              | 15                 | 250 (114)          |

Please note: air-cooled units require 6" (152 mm) clearance for air intake and exhaust.



We reserve the right to make changes in design and construction at any time without obligation.  
2003 © ICE-O-Matic Rev Code: 2000A-06/03-55

# ICE-O-Matic®

ICE-O-Matic 11100 E. 45th Avenue, Denver, CO 80239  
Tel. 303 371-3737 Fax. 303 371-6296 www.iceomatic.com